

Product data sheet

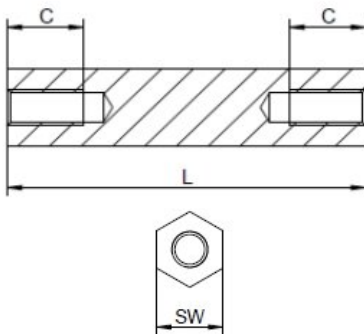
Spacer bolt steel internal / internal thread 100 mm M3 SW5.5

Item number: 201000311



Material:	Steel, galvanized
(L) Length mm:	100,0
Thread:	M3
(C) Internal thread depth mm:	10,0
(SW) Wrench size mm:	5,5
RoHS III compliant:	Yes
MOQ:	100

Illustrations may be similar



For individual advice, please feel free to contact us by email:

Subject to changes and errors.



Product link