

Product data sheet

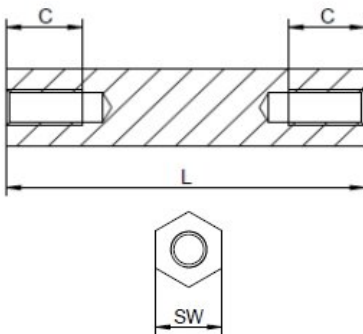
Spacer bolt brass internal / internal thread 11 mm M2.5 SW4

Item number: 20110222



Material:	Brass, nickel-plated
(L) Length mm:	11,0
Thread:	M2,5
(C) Internal thread depth mm:	11,0
(SW) Wrench size mm:	4
RoHS III compliant:	Yes
MOQ:	100

Illustrations may be similar



For individual advice, please feel free to contact us by email:

Subject to changes and errors.



Product link