

Product data sheet

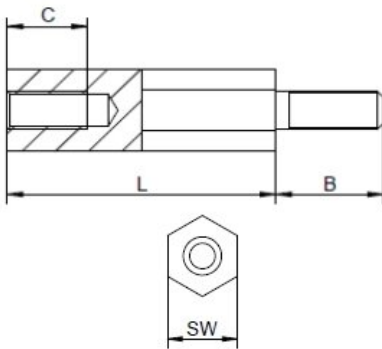
## Spacer bolt steel internal/external thread 12 mm M3 SW6 AG 6

Item number: 21120341



|  |                   |
|--|-------------------|
| Material:                              | Steel, galvanized |
| (L) Length mm:                         | 12,0              |
| Thread:                                | M3                |
| (B) Outer thread length mm:            | 6,0               |
| Thread undercut according to DIN 76-B: | Yes               |
| (C) Internal thread depth mm:          | 7,0               |
| (SW) Wrench size mm:                   | 6                 |
| RoHS III compliant:                    | Yes               |
| MOQ:                                   | 100               |

Illustrations may be similar



For individual advice, please feel free to contact us by email:

Subject to changes and errors.



Product link