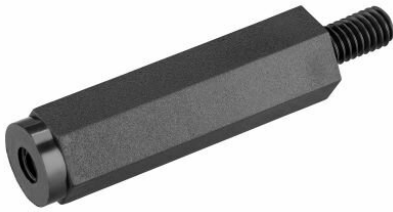


Product data sheet

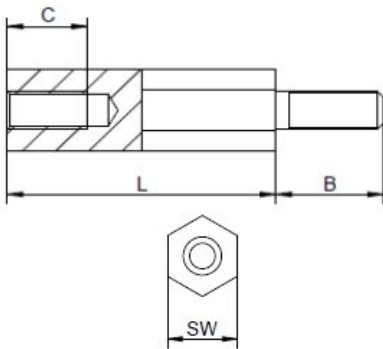
Plastic spacer bolt Internal/external thread M2.5 SW5

Item number: AK-IA-3-5,5



Material:	Polyamide 6.6
(L) Length mm:	5,0; 8,0; 10,0; 12,0; 15,0; 18,0; 32,0; 20,0; 22,0; 25,0; 38,0; 30,0; 48,0; 35,0; 42,0; 40,0; 52,0; 45,0; 58,0; 50,0; 55,0; 60,0; 6,0; 7,0; 13,0; 9,0; 28,0; 11,0; 14,0; 4,0
Thread:	M3
(B) Outer thread length mm:	8,0
Thread undercut according to DIN 76-B:	No
(C) Internal thread depth mm:	5,0; 6,0; 7,0; 3,0; 8,0; 9,0; 10,0; 4,0
(SW) Wrench size mm:	5,5
RoHS III compliant:	Yes
MOQ:	100

Illustrations may be similar



For individual advice, please feel free to contact us by email:

Subject to changes and errors.



Product link