

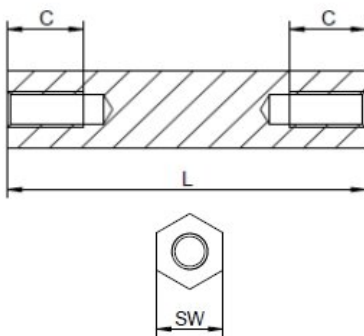
Product data sheet

Plastic spacer bolt internal/internal thread M6 SW10

Item number: AK-II-6-10



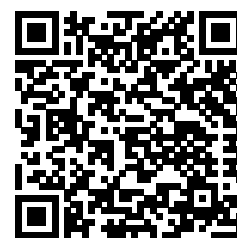
Illustrations may be similar



Material:	Polyamide 6.0
(L) Length mm:	15,0; 18,0; 20,0; 25,0; 30,0; 35,0; 40,0; 45,0; 50,0; 55,0; 60,0; 65,0; 70,0; 75,0; 80,0; 85,0; 90,0; 95,0; 100,0; 105,0; 110,0; 115,0; 120,0; 125,0; 130,0; 135,0; 140,0; 145,0; 150,0; 155,0; 160,0; 165,0; 170,0; 175,0; 180,0; 185,0; 190,0; 195,0; 200,0; 205,0; 210,0; 215,0; 220,0; 225,0; 230,0; 235,0; 240,0; 245,0; 250,0; 255,0; 260,0; 265,0; 270,0; 275,0; 280,0; 285,0; 290,0; 295,0; 300,0; 305,0; 310,0; 315,0; 320,0; 325,0; 330,0; 335,0; 340,0; 345,0; 350,0; 355,0; 360,0; 365,0; 370,0; 375,0; 380,0; 385,0; 390,0; 395,0; 400,0; 405,0; 410,0; 415,0; 420,0; 425,0; 430,0; 435,0; 440,0; 445,0; 450,0; 455,0; 460,0; 465,0; 470,0; 475,0; 480,0; 485,0; 490,0; 495,0; 500,0; 505,0; 510,0; 515,0; 520,0; 525,0; 530,0; 535,0; 540,0; 545,0; 550,0; 555,0; 560,0; 565,0; 570,0; 575,0; 580,0; 585,0; 590,0; 595,0; 600,0; 605,0; 610,0; 615,0; 620,0; 625,0; 630,0; 635,0; 640,0; 645,0; 650,0; 655,0; 660,0; 665,0; 670,0; 675,0; 680,0; 685,0; 690,0; 695,0; 700,0; 705,0; 710,0; 715,0; 720,0; 725,0; 730,0; 735,0; 740,0; 745,0; 750,0; 755,0; 760,0; 765,0; 770,0; 775,0; 780,0; 785,0; 790,0; 795,0; 800,0; 805,0; 810,0; 815,0; 820,0; 825,0; 830,0; 835,0; 840,0; 845,0; 850,0; 855,0; 860,0; 865,0; 870,0; 875,0; 880,0; 885,0; 890,0; 895,0; 900,0; 905,0; 910,0; 915,0; 920,0; 925,0; 930,0; 935,0; 940,0; 945,0; 950,0; 955,0; 960,0; 965,0; 970,0; 975,0; 980,0; 985,0; 990,0; 995,0; 1000,0
Thread:	M6
(C) Internal thread depth mm:	14,0; 15,0; 20,0; 11,0; 18,0; 13,0; 16,0; 5,0; 6,0; 7,0; 8,0; 9,0; 10,0; 12,0
(SW) Wrench size mm:	10
RoHS III compliant:	Yes
MOQ:	100

For individual advice, please feel free to contact us by email:

Subject to changes and errors.



Product link