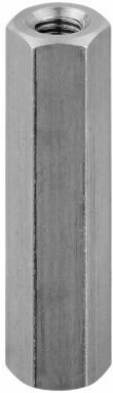


Product data sheet

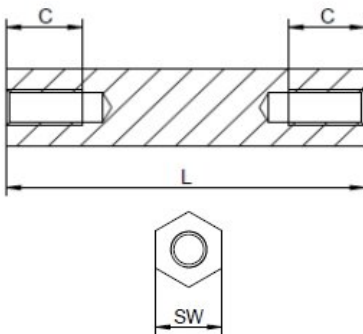
Threaded sockets stainless steel V4A 36 mm M12 SW19

Item number: GM-M1236-V4A



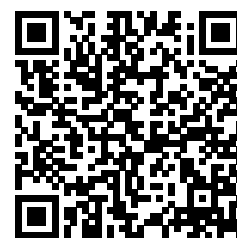
Material:	Stainless steel V4A
Standard:	according to DIN 6334
(L) Length mm:	36,0
Thread:	M12
(C) Internal thread depth mm:	36,0
(SW) Wrench size mm:	19
RoHS III compliant:	Yes
MOQ:	50

Illustrations may be similar



For individual advice, please feel free to contact us by email:

Subject to changes and errors.



Product link