

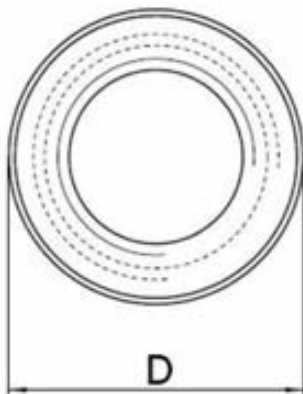
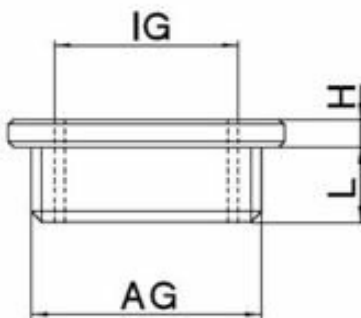
Product data sheet

Reduction brass knurled, metric

Item number: M-M-MESSING



Illustrations may be similar



Material:	Brass nickel-plated
Connection thread:	Metric
External thread:	M 16 x 1.5; M 20 x 1.5; M 25 x 1.5; M 32 x 1.5; M 40 x 1.5; M 50 x 1.5; M 63 x 1.5
Internal thread:	M 32 x 1.5; M 40 x 1.5; M 50 x 1.5; M 12 x 1.5; M 16 x 1.5; M 20 x 1.5; M 25 x 1.5
L:	6.0; 6.5; 7.0; 8.0; 10.0
D:	20.0; 24.0; 30.0; 37.0; 43.0; 56.0; 66.0
H:	2.00; 2.50; 3.00; 3.50; 4.00
Protection class:	Dependent on the combination with other components.
RoHS compliant:	Yes
Packaging unit:	100; 50; 10; 25

For individual advice, please feel free to contact us by email:

Subject to changes and errors.



Product link