

Product data sheet

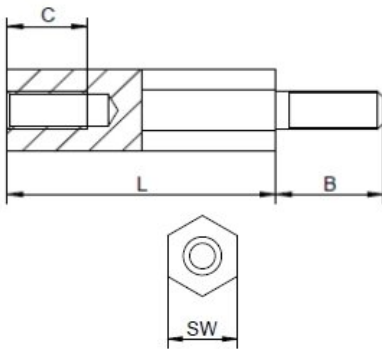
## Spacer bolt steel, galvanized Internal/external thread M2 SW4

Item number: ST-IA-2-4



<b>Material:</b>	Steel, galvanized
<b>(L) Length mm:</b>	5,0; 8,0; 10,0; 12,0; 15,0; 20,0; 30,0; 35,0; 6,0; 7,0; 16,0
<b>Thread:</b>	M2
<b>(B) Outer thread length mm:</b>	5,0
<b>Thread undercut according to DIN 76-B:</b>	Yes
<b>(C) Internal thread depth mm:</b>	5,0; 6,0; 3,0; 4,0
<b>(SW) Wrench size mm:</b>	4
<b>RoHS III compliant:</b>	Yes
<b>MOQ:</b>	100

Illustrations may be similar



For individual advice, please feel free to contact us by email:

Subject to changes and errors.



Product link